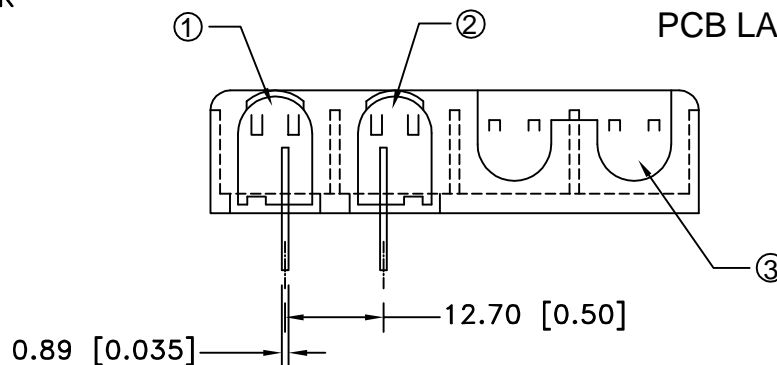
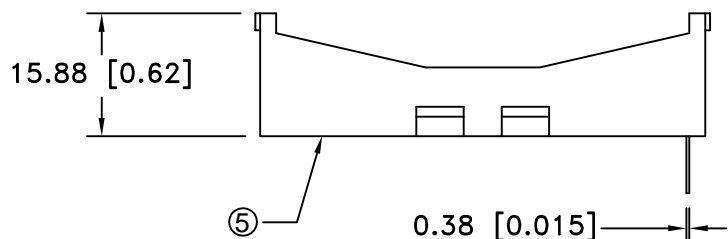
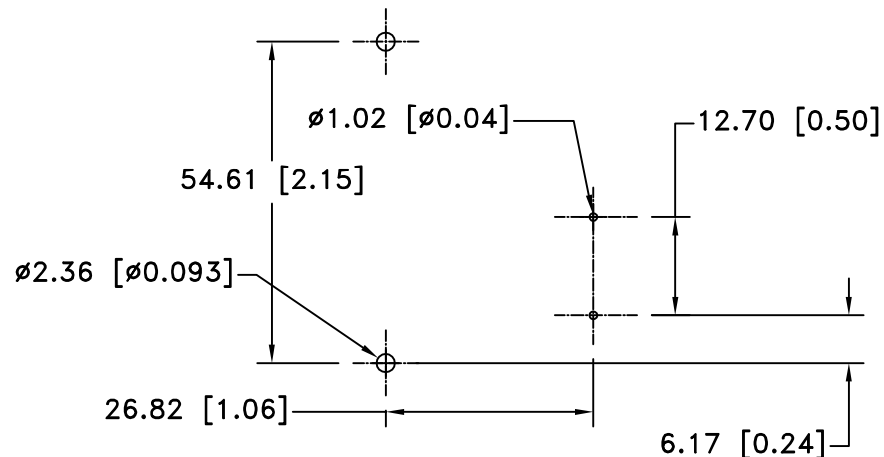
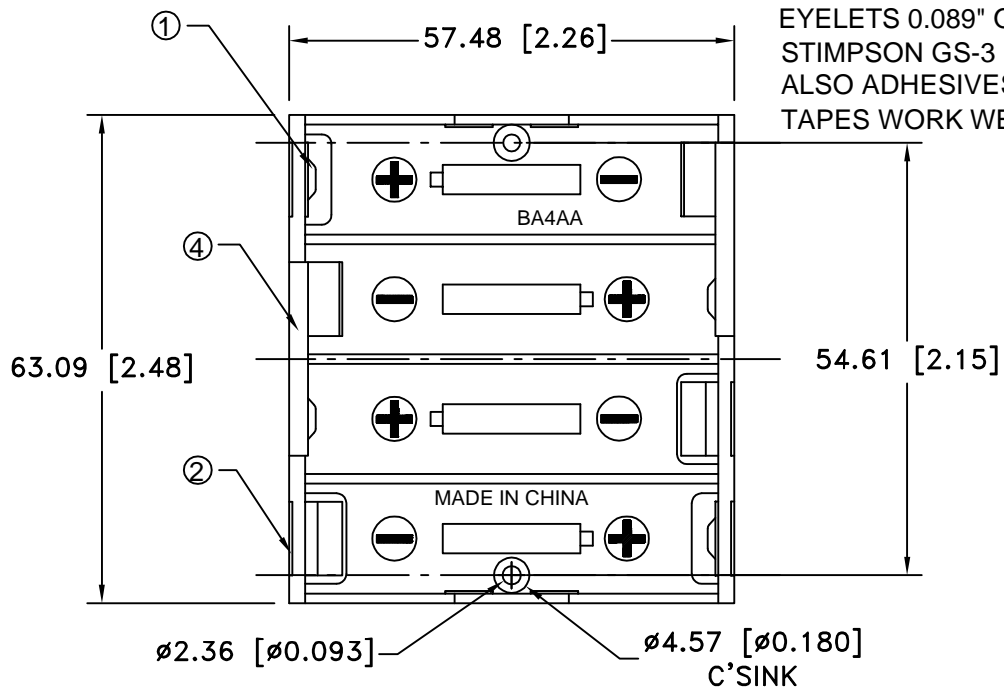


MOUNTING INSTRUCTION:

USE 2-56 MACHINE SCREWS OR EYELETS 0.089" OD BY 0.15" FLANGE STIMPSON GS-3 SERIES OR EQUIVALENT. ALSO ADHESIVES AND DOUBLE SIDED TAPES WORK WELL.

Date	SYM	REVISION RECORD	AUTH	DR.	CK.
10/02/04	A	55.88 was 54.61	T.B.	B.S.	
10/28/06	B	Added mounting instruction. $\varnothing 2.36$ was 2.18. $\varnothing 4.57$ was 4.70	T.B.	B.S.	
11/11/06	C	54.61 was 55.88	T.B.	B.S.	



ITEM NO.	PART NO.	MATL. SPECIFICATION	QTY.	Tolerance (Except as noted)	Memory Protection Devices, Inc 200 Broad Hollow Road, Farmingdale, New York 11735		
1	ABG-194	POSITIVE CONTACT, 302 STAINLESS STEEL, NICKLE PLTD.	2	decimal	Scale	Drawn By B.S.	
2	ABG-195	NEGATIVE CONTACT, 302 STAINLESS STEEL, NICKLE PLTD.	2			Approved By T.B.	
3	ABG-196-1	RIGHT NEG./POS. CONTACT, 302 STAINLESS STEEL, NICKLE PLTD.	1	Fractional $\pm .5$ (.020)	Title FOUR "AA" CELL SPRINGLESS HOLDER		
4	ABG-196-2	LEFT NEG./POS. CONTACT, 302 STAINLESS STEEL, NICKLE PLTD.	1				
5	ABG-187	BLACK POLYPROPYLENE HOLDER, UL94-HB	1				
				Angular $\pm 3^\circ$	Date 11/11/06	Drawing Number BA4AAPC	